

RO SNK EF C TO

RIO Tap Range Rio Easyfit Sink Mixer Chrome Tap Only



Specification

Product Type:	Kitchen Taps
Main Construction Material:	Brass
Mount Type:	Deck Mounted
Handle Type:	Crosshead Handles
Connection Inlet:	1/2" BSP Flexible Tails
Connection Outlet:	Anti-Splash
Number of Tap Holes:	1
Valve/Cartridge Type:	1/2" Ceramic Disc Valve
Plumbing System Requirements:	Suitable for all plumbing systems
Minimum Dynamic Pressure:	0.4 Bar
Maximum Dynamic Pressure:	5.0 bar
Maximum Hot Water Temperature: °C	65
Maximum Static Pressure: (bar)	10
Flow Type:	Single Flow
Isolation Included:	Yes

Features:

- Long life and easy to use 1/4 turn ceramic disc valves
- Product supplied without Easyfit base
- Minimum working pressure of 0.4 bar

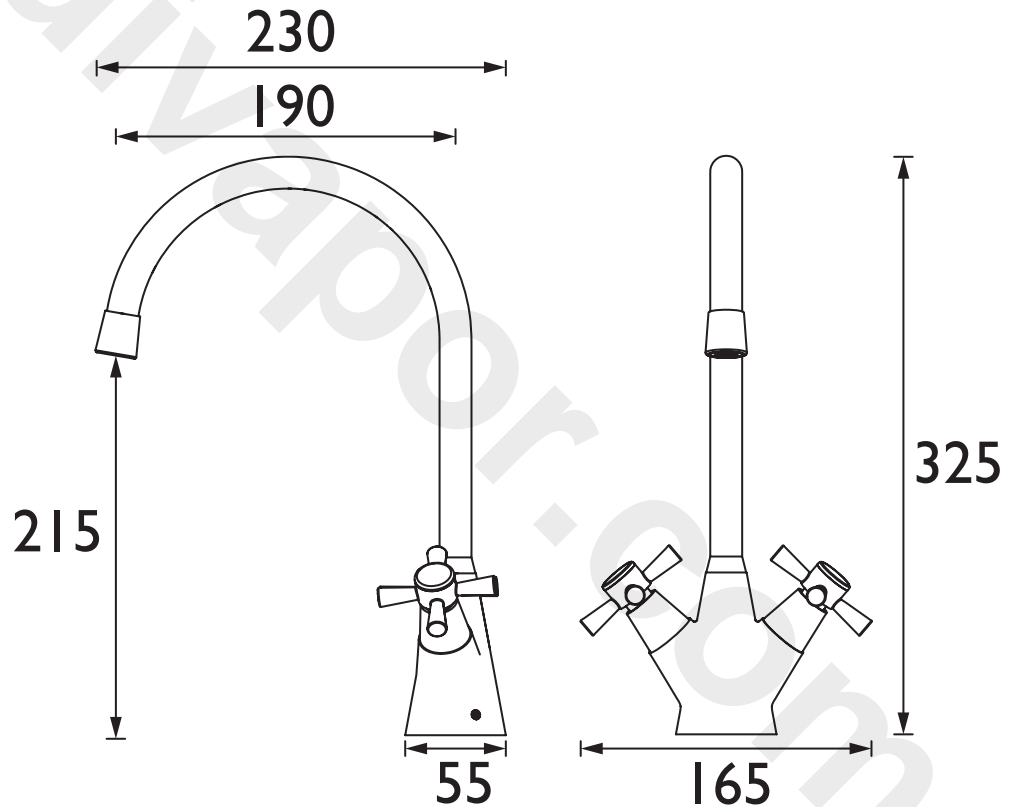
Product Certifications:



For more products, visit our website:
<http://www.bristan.com>



Dimensions (measurements in mm)



Flow Rates (l/min)

System Pressure (bar)	0.4	0.5	1	2	3	5
RO SNK EF C TO	7.4	8.2	12.8	18.4	22.9	29.2

TECHNICAL
DATA
SHEET



BRISTAN

D2